



GP64

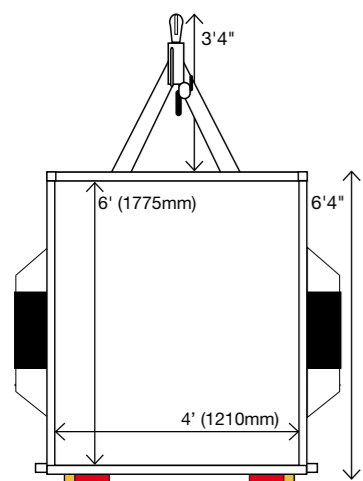


GP84

The Nugent General Purpose Trailers are designed and constructed for maximum strength and durability to enable it to withstand the rigorous demands of its user's day in, day out. We, at Nugent's, recognise the diverse requirements of our customers and so we are able to offer a range of additional features to suit your individual needs. Our attention to detail, make a Nugent General Purpose Trailer the perfect choice for the smaller load.



GP64



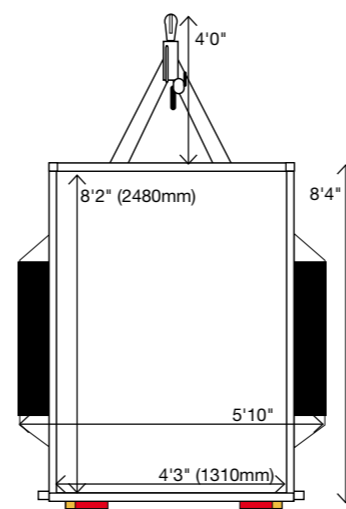
Nugent 6x4 General Purpose Trailer

The Nugent 6x4 unbraked trailer provides an easy handling option and a cost effective solution for those who do not use a trailer daily. The trailer has a range of extensive features such as a fully galvanized body, fully welded chassis and also features safety coupling. The trailer has a floor space of 6' 2" long by 4' 2" wide (1.88m x 1.27m).

A factory fitted option of 2mm aluminium treadplate floor covering is available. Our 6x4 trailer is fitted with a strong, low maintenance rubber torsion suspension unit which allows it to carry a capacity load of 750kg. This unbraked trailer places no restrictions on new car drivers and its lightweight capacity eases manoeuvrability, making it a great option for everyone.

Optional Extras Include:-

- Ladder Rack
- Mesh sides
- Spare wheel
- Aluminium floor
- Full ramp tail door



Nugent 8x4 General Purpose Trailer

Our twin axle 8x4 trailer provides the perfect solution for all your contracting requirements. With its fully galvanised body, fully welded chassis, solid beam axles and 5 leaf spring system, this trailer is strong enough to meet any task and has a load capacity of 2000kg.

The 8x4 can also be fitted with a mesh side system to allow agricultural users to move stock safely and easily. It has the added feature of lockable coupling. The trailer has a floor space of 8' 2" long by 4' 7" wide (2.4m x 1.31m). A factory fitted option of 2mm aluminium treadplate floor covering is also available for this model.

Optional Extras Include:-

- Ladder Rack
- Mesh sides
- Spare wheel
- Aluminium floor
- Full ramp tail door

Code	Size	Axle	Tyres	Length	Width	Loading height	Gross capacity	Unladen weight
General Purpose								
GP64	6'x4'	Single	165R13C	1775mm / 70"	1210mm / 48"		750Kg	540Kg
GP84	8'2"x4'3"	Single	165R13C	2480mm / 98"	1310mm / 52"	460mm	750Kg	
GP64	6'x4'	Single	165R13C	1775mm / 70"	1210mm / 48"		1400Kg	
GP84	8'2"x4'3"	Single	165R13C	2480mm / 98"	1310mm / 52"	460mm	1400Kg	
GP84	8'2"x4'3"	Twin	165R13C	2480mm / 98"	1310mm / 52"	460mm	2000Kg	

GENERAL PURPOSE TRAILERS



Nugent General Purpose Trailers

Nugent General Purpose Trailers are manufactured to exacting standards using the best materials available.

The trailers are fully galvanized and come to you road legal, with brake and indicators lights fitted.

Nugent General Purpose Trailers are a popular choice for those who wish to combine manoeuvrability, strength and quality with good value for money.



GP64



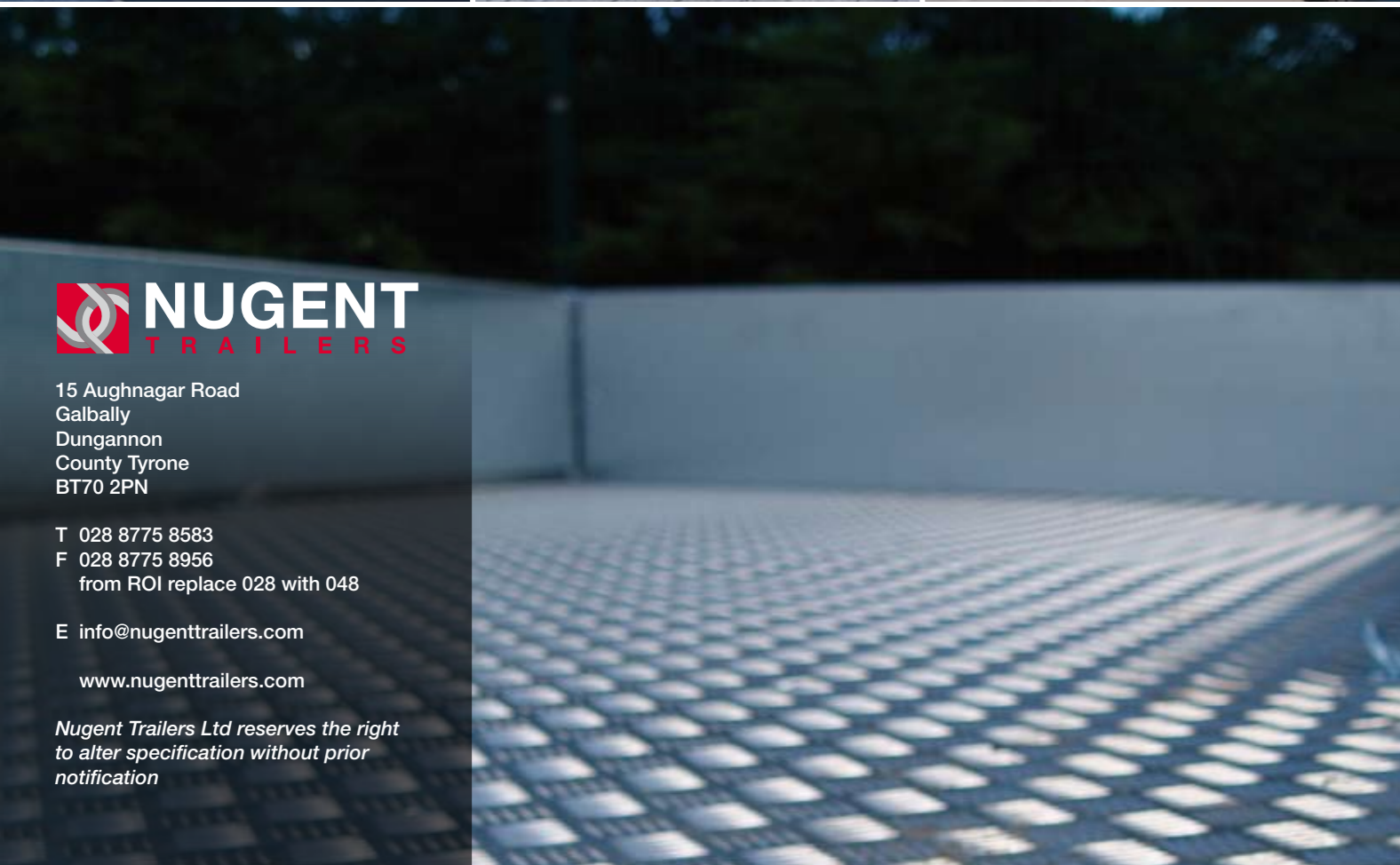
GP84



GP84



GP84



15 Aughnagar Road
Galbally
Dungannon
County Tyrone
BT70 2PN

T 028 8775 8583
F 028 8775 8956
from ROI replace 028 with 048

E info@nugenttrailers.com

www.nugenttrailers.com

Nugent Trailers Ltd reserves the right to alter specification without prior notification